

# DIECAST AND METAL ENCLOSURES

UNIVERSAL ENCLOSURES

HAND HELD CASES

HEAVY DUTY ENCLOSURES

DIN RAIL ENCLOSURES

INTERFACE SUPPORTS

CONTROL STATIONS

DIECAST & METAL ENCLOSURES

DESKTOP & INSTRUMENT CASES

MULTI-PURPOSE & POTTING BOXES

19" ENCLOSURES

19" CABINETS

DEVELOPMENT BOARD ENCLOSURES

CUSTOM SIZED ENCLOSURES

FSPT/CUSTOM SERVICES

## 88 Series IP67 Heatsink Cases

IP67, EMC shielded aluminium heatsink enclosures with optional protective silicone boot.

- Heavy duty enclosure, heatsink extrusion body and die-cast panels
- EMI-shielded (Non-shielded available upon request)
- PCB or chassis are horizontally mountable by sliding into grooved inner body frame
- Designed for a tough environment; heavy duty, highly waterproof and heat resistant. Suitable for measuring instruments, industrial controls, industrial camera housing.

**TAKACHI**



### SPECIFICATION

Material	Lid - aluminium (powder coated) Body - aluminium (anodised)
Operating temperature	-40°C to + 105°C
Standard colours	Black or Silver
Standard unit includes	Lid, base 4x Steel screws Rubber feet IP67 Gasket
Options	Silicone boots in black Mounting plates Flanged Ends available upon request

SIZE	BLACK	SILVER	LENGTH	WIDTH	HEIGHT
2	CDM8802BK	CDM8802SL	110mm	65.8mm	65.8mm
4	CDM8804BK	CDM8804SL	200mm	65.8mm	65.8mm
7	CDM8807BK	CDM8807SL	115mm	80.8mm	45.8mm
9	CDM8809BK	CDM8809SL	175mm	80.8mm	45.8mm
11	CDM8811BK	CDM8811SL	125mm	86.3mm	86.3mm
13	CDM8813BK	CDM8813SL	220mm	86.3mm	86.3mm
16	CDM8816BK	CDM8816SL	150mm	106.3mm	56.3mm
18	CDM8818BK	CDM8818SL	240mm	106.3mm	56.3mm
20	CDM8820BK	CDM8820SL	175mm	156.3mm	81.3mm
22	CDM8822BK	CDM8822SL	275mm	156.3mm	81.3mm

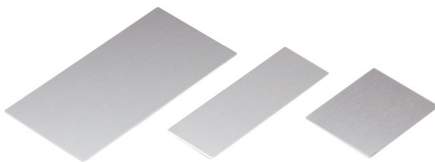


## Silicone Boots



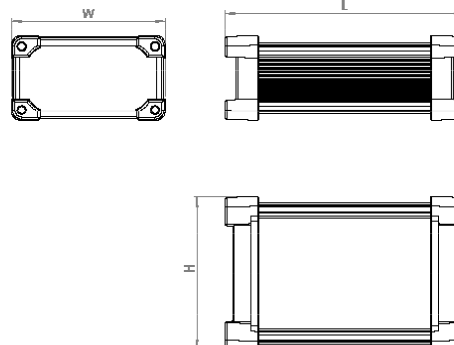
BLACK	LENGTH	WIDTH	HEIGHT	DESCRIPTION
CDM88B1BK	31mm	72.4mm	73.6mm	Suits sizes 2 & 4
CDM88B2BK	31mm	87.4mm	53.6mm	Suits sizes 7 & 9
CDM88B3BK	35.5mm	93.9mm	95.1mm	Suits sizes 11 & 13
CDM88B4BK	35.5mm	113.9mm	65.1mm	Suits sizes 16 & 18
CDM88B5BK	35.5mm	163.9mm	90.1mm	Suits sizes 20 & 22

\* Other colours available on request



## Mounting Plates

PART NO.	LENGTH	WIDTH	DESCRIPTION
CDM88MP02	94mm	47mm	Suits size 2
CDM88MP04	184mm	47mm	Suits size 4
CDM88MP07	99mm	61.8mm	Suits size 7
CDM88MP09	159mm	61.8mm	Suits size 9
CDM88MP11	106mm	66.5mm	Suits size 11
CDM88MP13	201mm	66.5mm	Suits size 13
CDM88MP16	130.6mm	86.5mm	Suits size 16
CDM88MP18	220.6mm	86.5mm	Suits size 18
CDM88MP20	155.6mm	136.3mm	Suits size 20
CDM88MP22	255.6mm	136.3mm	Suits size 22



Flanged ends for wall mounting available on request